



EVO Bulkheads

IP65 D240

IP65

3H EM

5 YR

Tri-
Color



SAA

LM-79

60%
energy
saving

30,000
hours life

5
years
warranty

• Product Picture



• Features

- > IP65 & anti-UV plastic case
- > 5 years warranty ,EM battery : 3 years
- > 1W/3H EM at 10% lumen output

• Options

- > Color : Single color or Tri-color
- > Function: See the datasheet
- > Microwave sensor: 0% or 10%
- > Package: Standard pack or Color Box

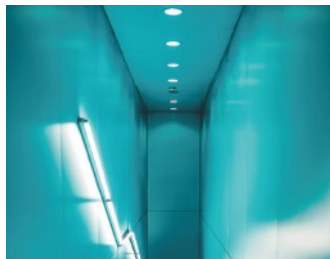
• Applications



Replacement for
2D fluorescent



Homes and houses



Stairs / corridors



Architectural lighting

• Data sheet

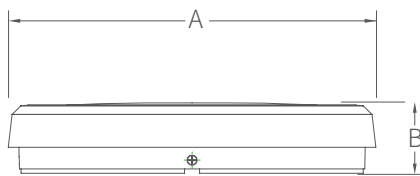
Item	Symbol	D=240
Rated Power	W	10W
Product Code	/	BH24-10GTR-ENF1L-000 / BH24-10GTR-ENF2H-000 / BH24-10GTR-ENF3H-000 / BH24-10GTR-ENF4H-000 / BH24-10GTR-ENF5H-000 / BH24-10GTR-ENF6H-000
LED Type/Qty	SMD2835	84*2
Lumen Efficacy	Lm/w	typ.100
Luminous Flux	LM	typ.1000

• ErP Technical Specification

Item	Specification / Data	Item	Specification / Data
Color Index	Ra>80	Power factor	>0.95
Beam Angle	120 degree	Efficiency in	>93%
Color Temperature	Single Color or Tri-Color	Energy efficiency Class	A+ / A++
Dimming Function	STD / ON-OFF STD+EM STD+EMST MS+EMST STD+MS STD+EM+MS	Standard deviation of color matching	<5
MS Function	10% Or 25% Brightness on Micro-wave sensor	Starting Time	<0.5S
EM time /LM	1W 3H	Warm-up time to 60%	<0.5S
LED current	Constant 50mA	Rated nominal Lifetime	>30,000 hours
Input Voltage	AC200~240V/50Hz	Lumen Maintenance at e.o.l.	>80%
Working Voltage	Constant DC27-42V	LED Device Lifetime	L80/B10@50,000 hours
Temperature	Operation:-15°C~+50°C,Storage:-25°C~+55°C	Switching Cycle before Failure	>10,000 times
Protection Class	IP65	Color consistency in level	Max. 6SDCM
Warranty	5 years warranty ,EM battery : 3 years	THD	<15%



• Dimension

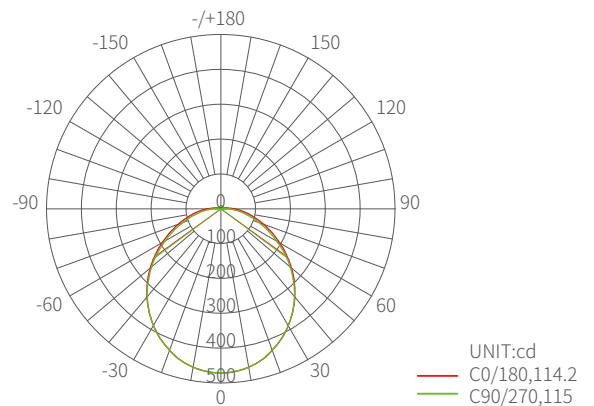


Product Name	A	B
EVO Bulkheads	Ø240	63

Unit: mm

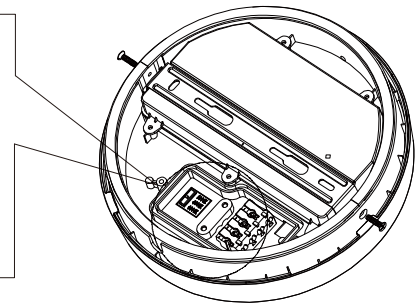
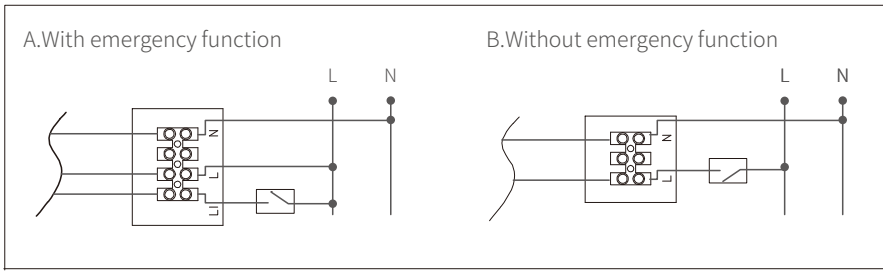
• Photometry Curve

AVERAGE BEAM ANGLE(50%): 114.6 DEG

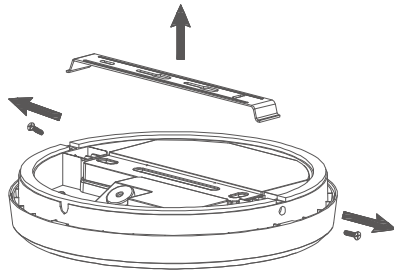


• Installation Instructions

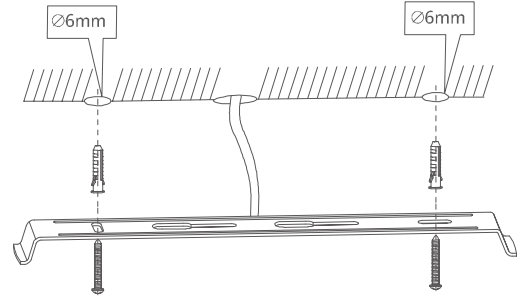
1. 2D Wiring Diagram



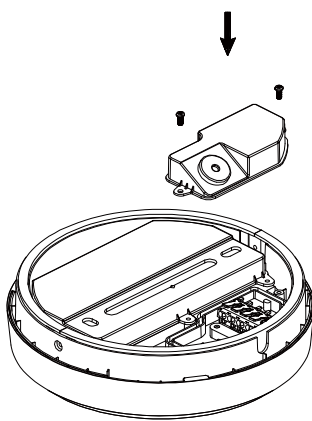
2. Installation steps



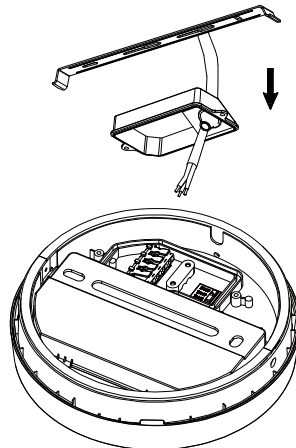
1). Remove the mounting bracket by almost completely loosening the screws on both sides of the casing.



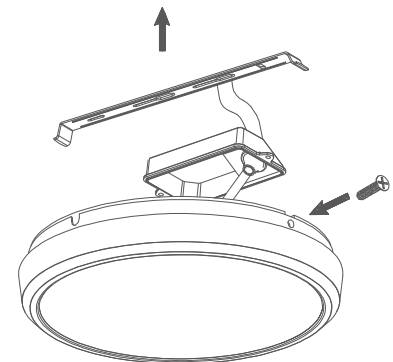
2). Fix the mounting bracket to the wall/ceiling.



3). Remove the cover of the terminal compartment (It's the smaller compartment).



4). Thread the AC mains cable through the rubber grommet and connect the wires to the terminal block.



5). Reinstall the terminal cover, mount the fixture onto the installed bracket and tighten the loosened screws.

• Package

Product Type	Rate Power	Inner Box	Outer Carton	Qty/Carton	Unit N.W	G.W/Carton
STD	10W	250x70x250mm	525x375x270mm	10Pcs	1.25kg	12.5kg
STD+EMG	10W	250x70x250mm	525x375x270mm	10Pcs	1.30kg	13.0kg
STD+MS	10W	250x70x250mm	525x375x270mm	10Pcs	1.30kg	13.0kg
STD+EMG+MS	10W	250x70x250mm	525x375x270mm	10Pcs	1.40kg	14.0kg
STD+EMST	10W	250x70x250mm	525x375x270mm	10Pcs	1.30kg	13.0kg
MS+EMST	10W	250x70x250mm	525x375x270mm	10Pcs	1.40kg	14.0kg

! CAUTION

- ※ In case of electric shock, please make sure the power is off before installation.
- ※ The lamp should be installed and operated by a qualified electrician or technician in accordance with relevant local codes.
- ※ Do not use sharp tools near or on the surface of the lamp.
- ※ Unpack and examine the product carefully. Report any damage and save all packing materials if any portion of the product was damaged during transportation.